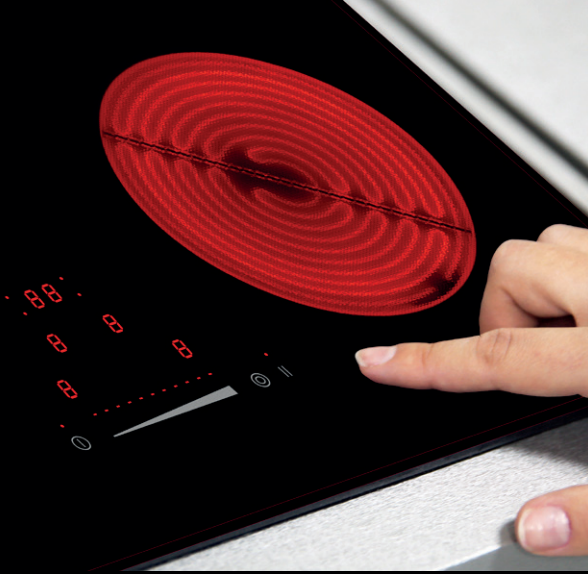


Ceramic Hobs



Induction Hobs



Induction Hobs with Extractor Fan



LUXAIR 2018 HOB COLLECTION

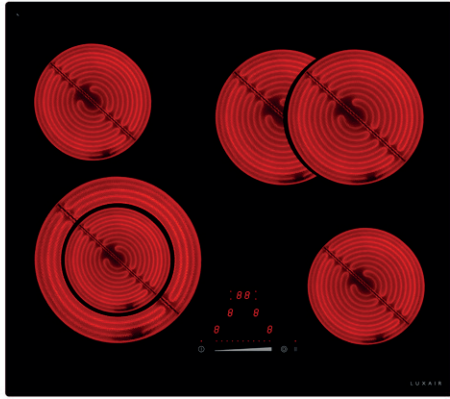
APRIL 2018

2

YEARS
PARTS +
LABOUR
WARRANTY

CERAMIC

LA-60-LUSSO-CER

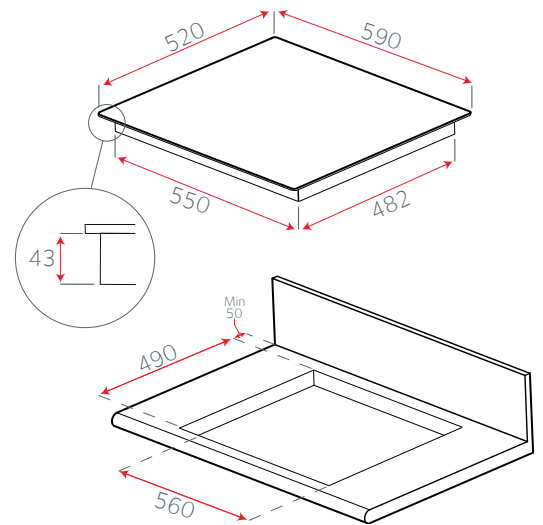


60cm Lusso Ceramic Hob

The very sleek 60cm ceramic hob is quite simply one of the best ceramic hobs on the market, made from very high quality German components and Eurokera glass, combined you have the perfect match for reliability and quality.

The 60cm Lusso ceramic has many features and is very easy to use with the latest electronic slide control's, bevelled edge glass and designer up to date serigraph design, the Lusso will blend seamlessly into any kitchen.

The 60cm Lusso has a variety of heat rings (see technical panel for details) and all Luxair hobs are pre-wired and very quick to install.



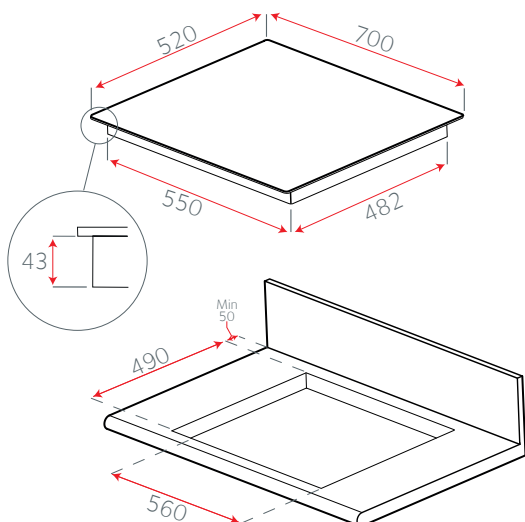
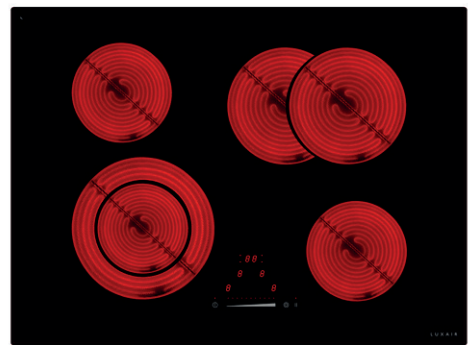
70cm Lusso Ceramic Hob

The very sleek 70cm ceramic hob is quite simply one of the best ceramic hobs on the market, made from very high quality German components and Eurokera glass, combined you have the perfect match for reliability and quality.

The 70cm Lusso ceramic has many features and is very easy to use with the latest electronic slide control's, bevelled edge glass and designer up to date serigraph design, the Lusso will blend seamlessly into any kitchen.

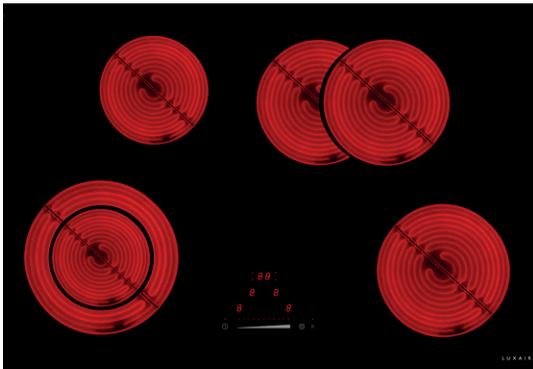
The 70cm Lusso has a variety of heat rings (see technical panel for details) and all Luxair hobs are pre-wired and very quick to install.

LA-70-LUSSO-CER



CERAMIC

LA-80-LUSSO-CER

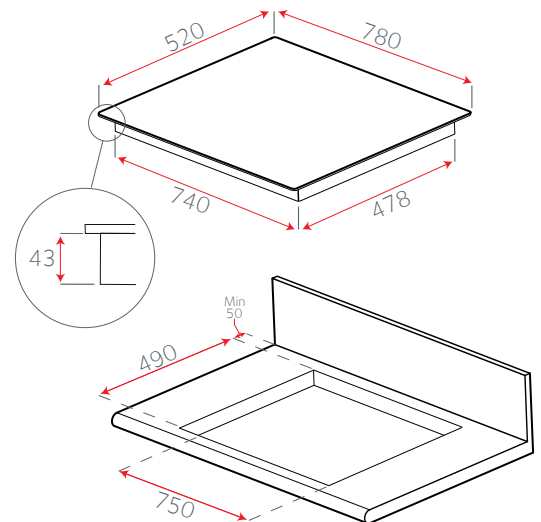


80cm Lusso Ceramic Hob

The very sleek 80cm ceramic hob is quite simply one of the best ceramic hobs on the market, made from very high quality German components and Eurokera glass, combined you have the perfect match for reliability and quality.

The 80cm Lusso ceramic has many features and is very easy to use with the latest electronic slide control's, bevelled edge glass and designer up to date serigraph design, the Lusso will blend seamlessly into any kitchen.

The 80cm Lusso has a variety of heat rings (see technical panel for details) and all Luxair hobs are pre-wired and very quick to install.



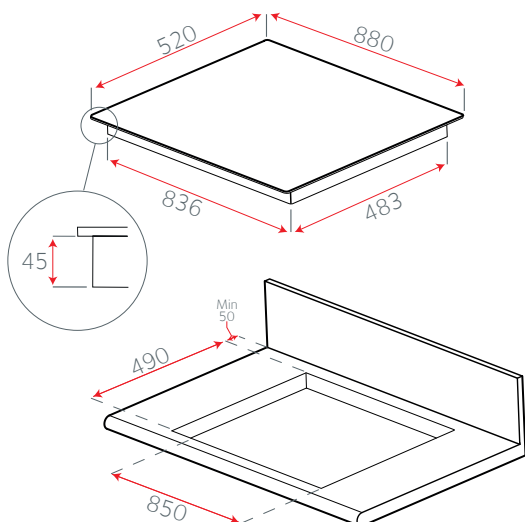
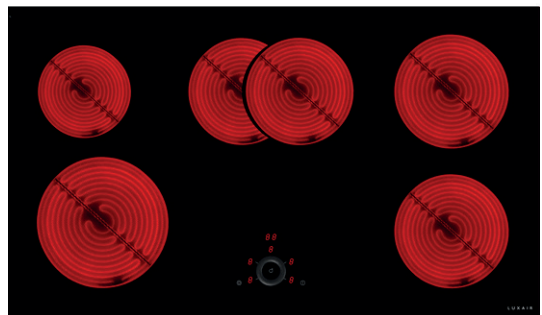
90cm Lusso Ceramic Hob

The very sleek 90cm ceramic hob is quite simply one of the best ceramic hobs on the market, made from very high quality German components and Eurokera glass, combined you have the perfect match for reliability and quality.

The 90cm Lusso ceramic has many features and is very easy to use with the latest electronic slide control's, bevelled edge glass and designer up to date serigraph design, the Lusso will blend seamlessly into any kitchen.

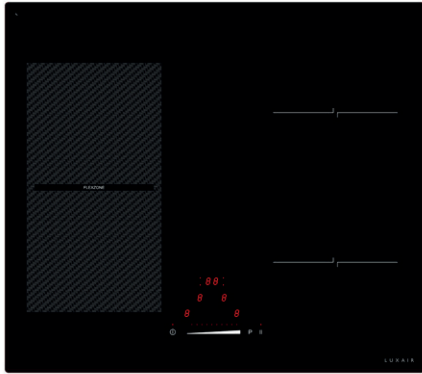
The 90cm Lusso has a variety of heat rings (see technical panel for details) and all Luxair hobs are pre-wired and very quick to install.

LA-90-LUSSO-CER



INDUCTION

LA-60-LUSSO-IND

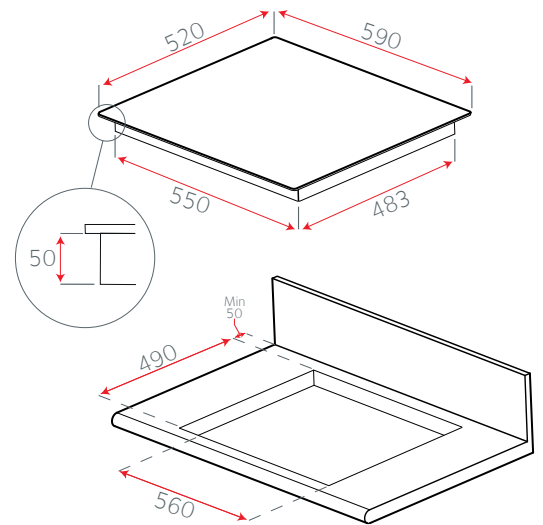


60cm Lusso Induction Hob

The very sleek 60cm Flexizone induction hob is quite simply one of the best induction hobs on the market, made from very high quality German components and Eurokera glass, combined you have the perfect match for reliability and quality.

The 60cm Lusso Ind has many features and is very easy to use with the latest electronic slide control's, bevelled edge glass and designer up to date serigraph design, the Lusso will blend seamlessly into any kitchen.

The 60cm Lusso has 1 x flexizone panel and 2 x separate induction zones, all Luxair hobs are pre-wired and very quick to install.



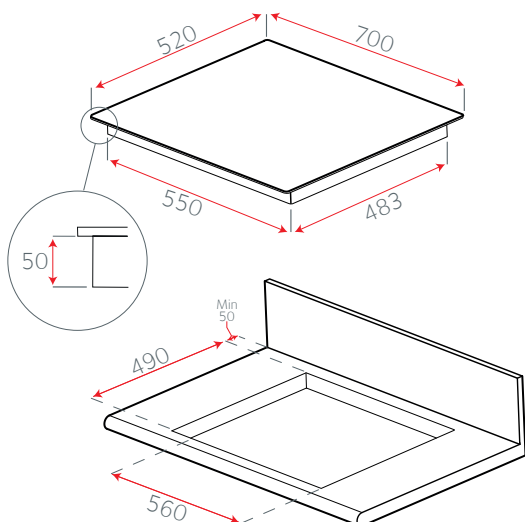
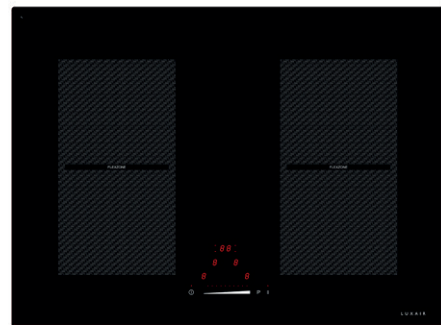
70cm Lusso Induction Hob

The very sleek 70cm Flexizone induction hob is quite simply one of the best induction hobs on the market, made from very high quality German components and Eurokera glass, combined you have the perfect match for reliability and quality.

The 70cm Lusso Ind has many features and is very easy to use with the latest electronic slide control's, bevelled edge glass and designer up to date serigraph design, the Lusso will blend seamlessly into any kitchen.

The 70cm Lusso has 2 x flexizone panels with 4 independent zones, all Luxair hobs are pre-wired and very quick to install.

LA-70-LUSSO-IND



INDUCTION

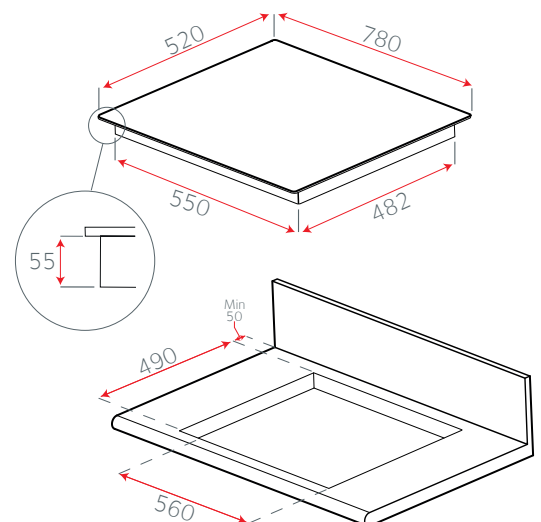
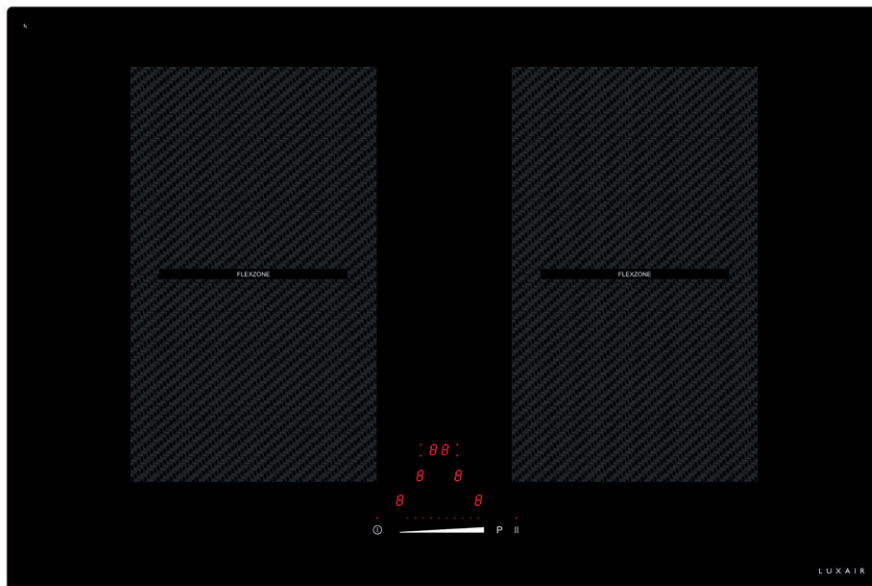
LA-80-LUSSO-IND

80cm Lusso Induction Hob

The very sleek 80cm Flexizone induction hob is quite simply one of the best induction hobs on the market, made from very high quality German components and Eurokera glass, combined you have the perfect match for reliability and quality.

The 80cm Lusso Ind has many features and is very easy to use with the latest electronic slide control's, bevelled edge glass and designer up to date serigraph design, the Lusso will blend seamlessly into any kitchen.

The 80cm Lusso has 2 x flexizone panel with 4 independent zones, all Luxair hobs are pre-wired and very quick to install.



INDUCTION



INDUCTION

LA-90-LUSSO-IND-5

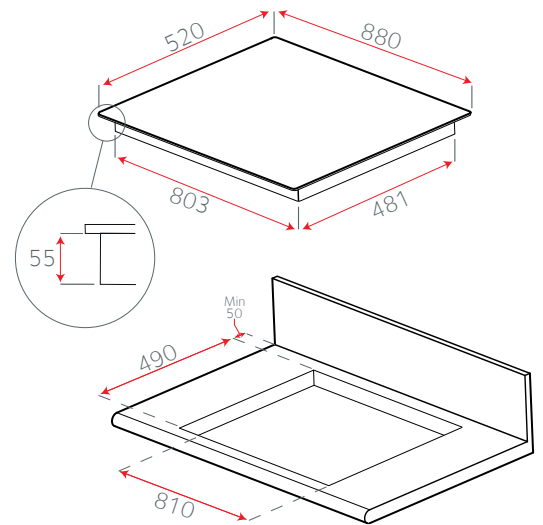


90cm Lusso Induction Hob 5

The very sleek 90cm IND-5 Flexizone induction hob is quite simply one of the best induction hobs on the market, made from very high quality German components and Eurokera glass, combined you have the perfect match for reliability and quality.

The 90cm Lusso Ind has many features and is very easy to use with the latest electronic slide control's, bevelled edge glass and designer up to date serigraph design, the Lusso with blend seamlessly into any kitchen.

The 90cm Lusso has 1 x flexizone panel and 3 x separate induction zones, all Luxair hobs are pre-wired and very quick to install.



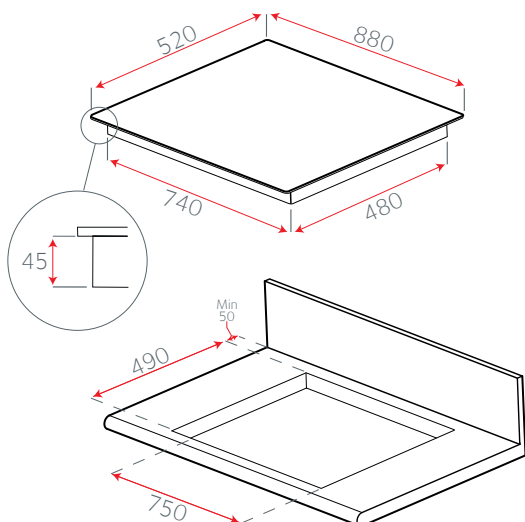
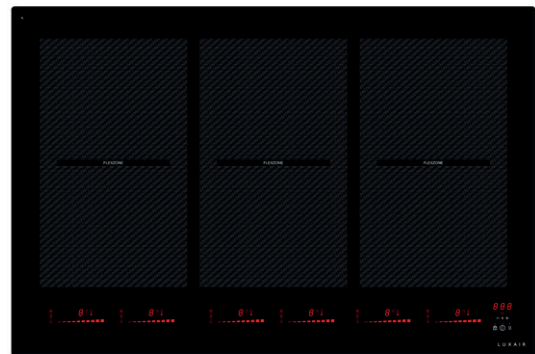
90cm Lusso Induction Hob 6

The very sleek 90cm Flexizone induction hob is quite simply one of the best induction hobs on the market, made from very high quality German components and Eurokera glass, combined you have the perfect match for reliability and quality.

The 90cm Lusso Ind has many features and is very easy to use with the latest electronic slide control's, bevelled edge glass and designer up to date serigraph design, the Lusso with blend seamlessly into any kitchen.

The 90cm Lusso has 3 x flexizone panel with 6 independent zones, all Luxair hobs are pre-wired and very quick to install.

LA-90-LUSSO-IND-6



INDUCTION

WITH EXTRACTOR FAN



INDUCTION

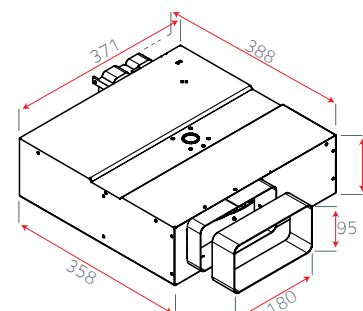
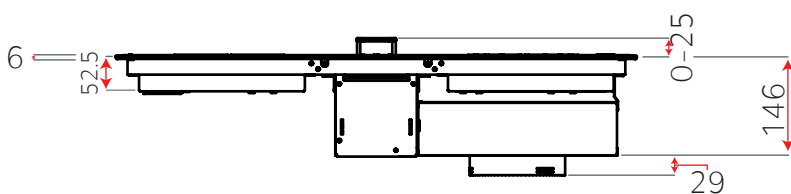
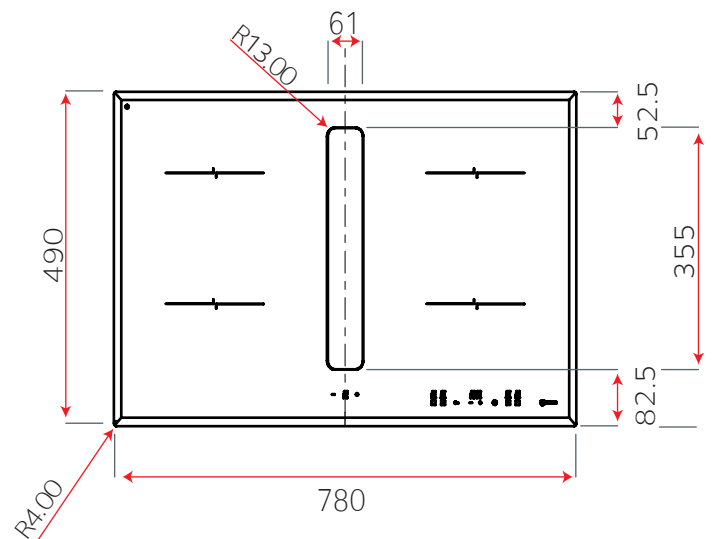
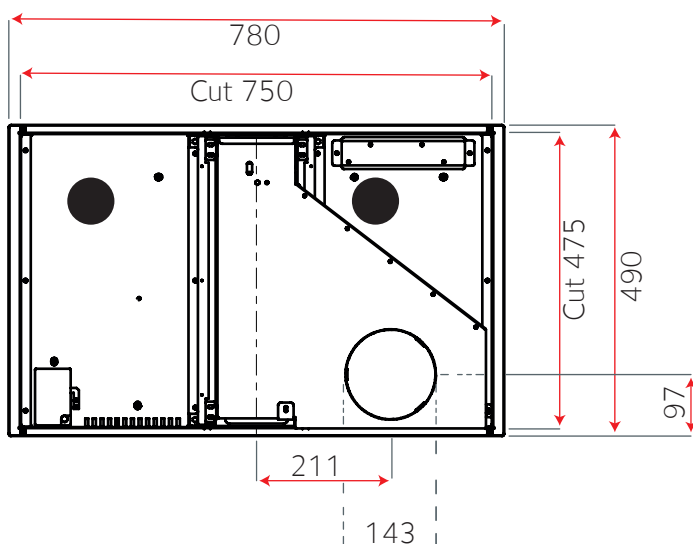
WITH EXTRACTOR FAN

LA-78-ARCUS-IND

78cm Arcus Induction Hob with Built In Extractor

The new Arcus flexi Induction hob with built in extractor fan is a brand new concept in extraction. An efficient induction hob that has a powerful 1300 m³/hr motor, more than enough power to remove steam and grease from 4 pans boiling at once. This new kitchen extractor hob has been designed to work with pans as high as 220mm. Air is drawn through the central vent that will rise as soon as the extractor is turned on. This central vent is mechanical and will rise and lower as the extractor is turned on and off.

For convenience the hob and extractor can be used separately so if you only want to use the hob you can leave the extractor off, similarly if there are any smells or steam still in the air after you have finished cooking you can use the extractor once the hob has been turned off. A timer function is available that will power down the motor when the timer counts to zero.



INDUCTION

WITH EXTRACTOR FAN



INDUCTION

WITH EXTRACTOR FAN

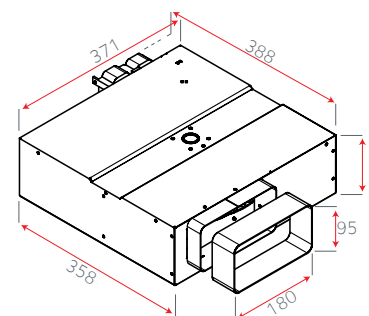
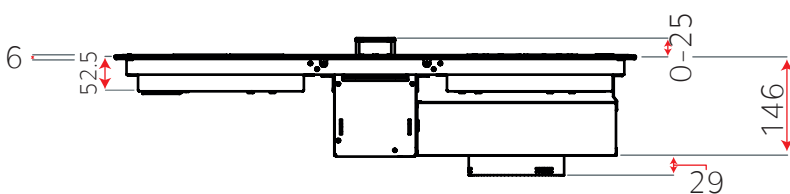
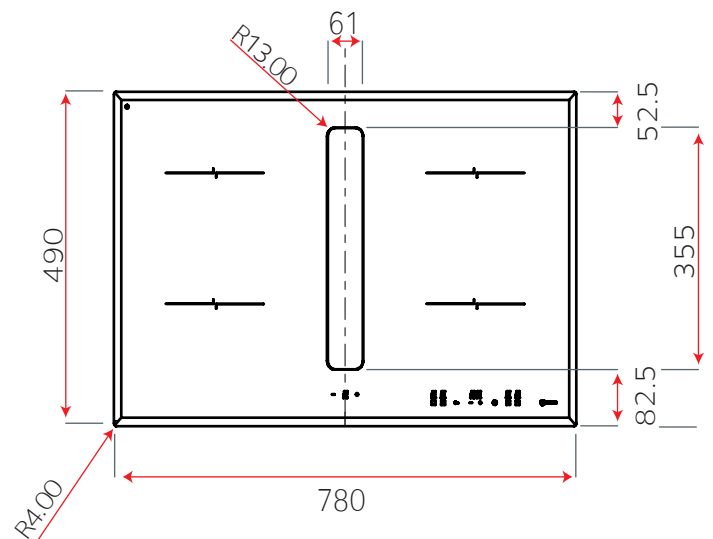
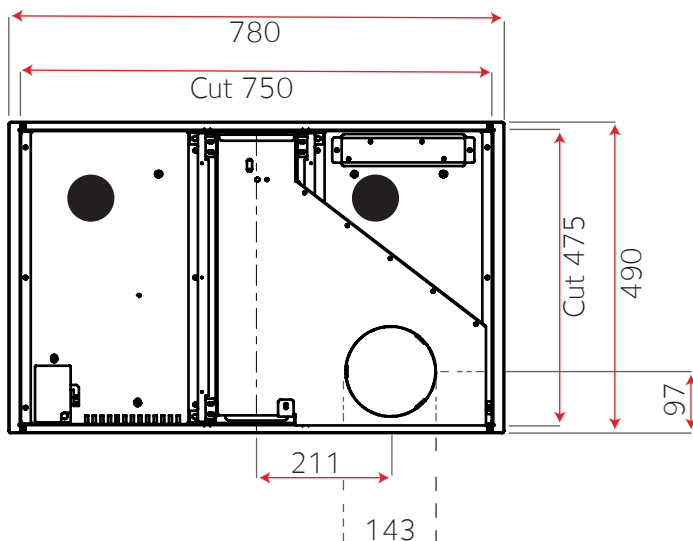
LA-78-ARCUS-2

78cm Arcus Induction Hob with Built In Extractor

The Arcus-2 is very similar to the Arcus but instead of a rising unit to extract, air is drawn through a unique grill vent when the extractor is turned on. This grill is removable for access to heavy duty metal grease filters inside and a drip tray to catch any excess spillage. The grill, metal grease filters and the drip tray are all washable for ease of use.

This new kitchen extractor hob has been designed to work with pans as high as 220mm.

For convenience the hob and extractor can be used separately so if you only want to use the hob you can leave the extractor off, similarly if there are any smells or steam still in the air after you have finished cooking you can use the extractor once the hob has been turned off. A timer function is available that will power down the motor when the timer counts to zero.





LUXAIRTM

EXTRACTION WITH ATTRACTION

Luxair Cooker Hoods Limited

Luxair House, units 4 + 5,
Barker Business Park
Melmerby, Ripon, HG4 5NB
Telephone: 01765 641888
Fax: 01765 641889
Email: info@luxairhoods.com

www.Luxairhoods.com